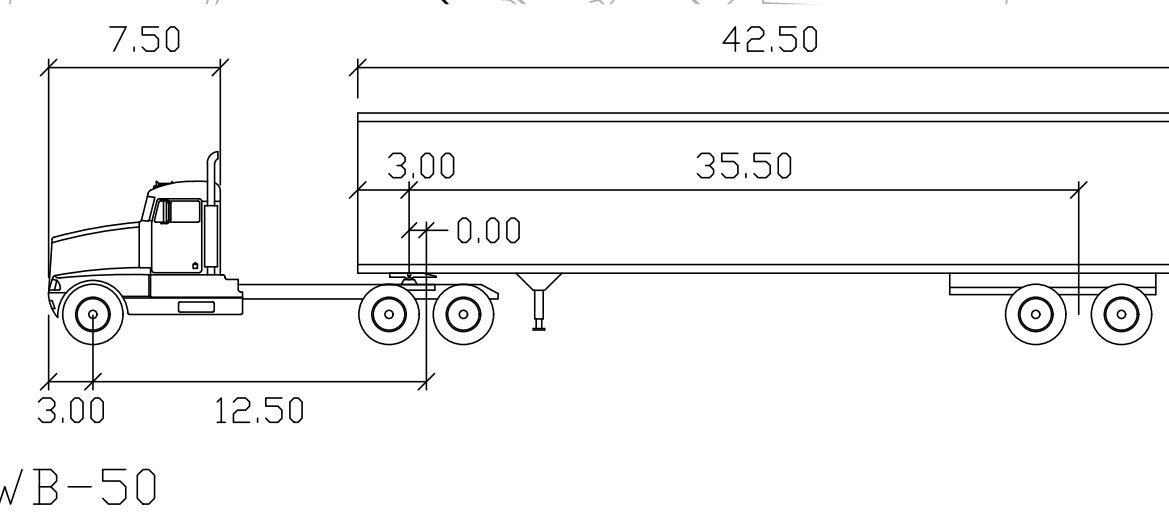
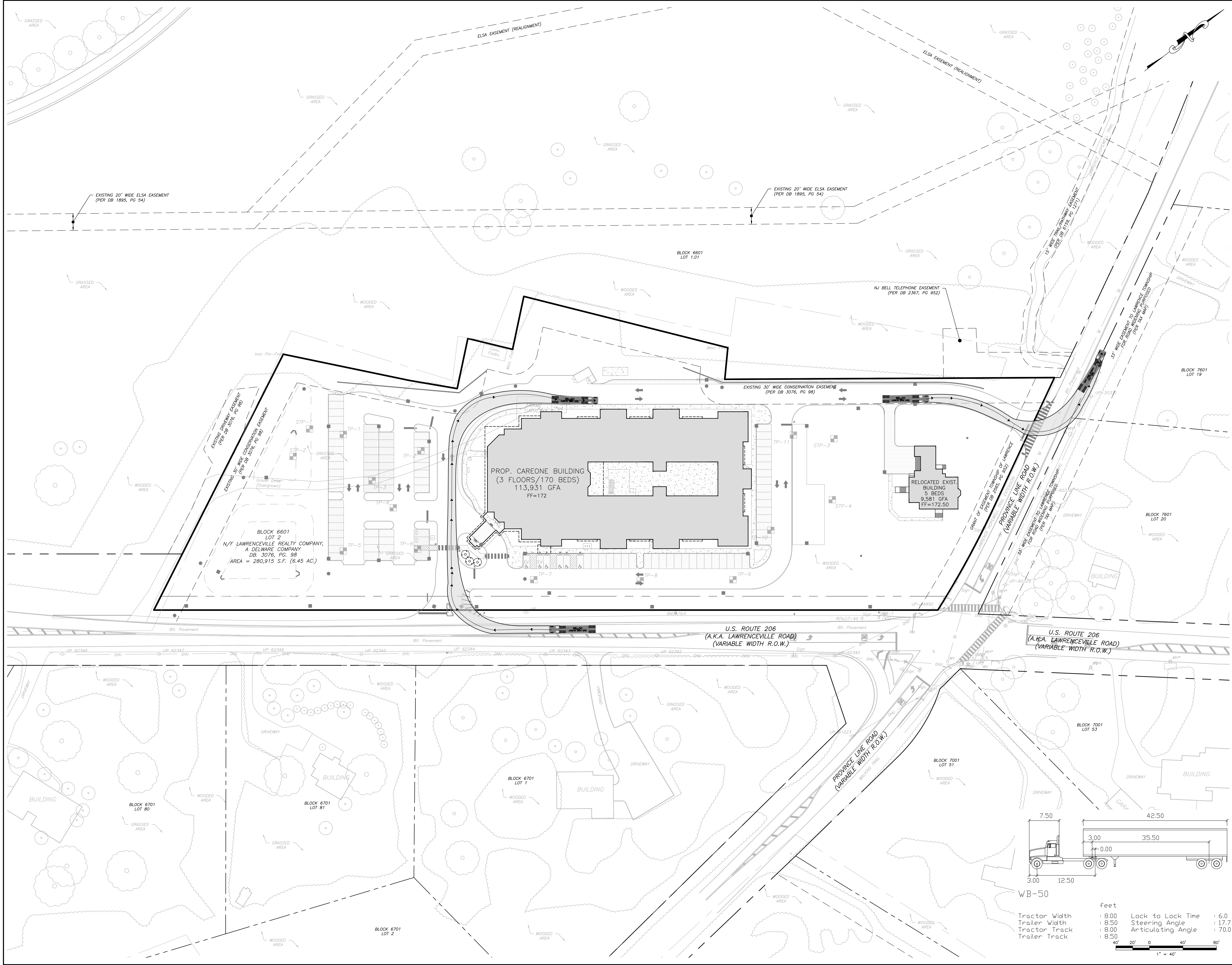


PROJECT INFORMATION:
 FILE PATH: C:\PROJETS\COM\00001\PlanA
 FILE NAME: COM00001 - TTP.dwg
 DATE PLOTTED: 05/27/22 11:31 AM
 LAST SAVE BY: Dabakaz

CONTRACTOR: AND ASSOCIATES, ALL RIGHTS RESERVED. THE COPIES OR USE OF THIS DOCUMENT OR PORTIONS THEREOF, FOR OTHER THAN THE ORIGINAL PROJECT PURPOSE, ORIGINALLY INTENDED, WITHOUT THE WRITTEN PERMISSION OF T&M ASSOCIATES IS PROHIBITED.



Tractor Width	: 8.00	Lock to Lock Time	: 6.0
Trailer Width	: 8.50	Steering Angle	: 17.7
Tractor Track	: 8.00	Articulating Angle	: 70.0
Trailer Track	: 8.50		

feet
 40' 20' 0' 40' 80'
 1" = 40'

NO.	DATE	REVISIONS	BY	CHKD
2.	2/3/23	REVISED PER ZONING BOARD REVIEW COMMENTS	DA	MRT
1.	6/28/22	REVISED PER TOWNSHIP COMPLETION REVIEW	KRR	MRT

MICHAEL R. THOMAS, P.E.
 PROFESSIONAL ENGINEER

MRT 2/3/23
 LICENSED PROFESSIONAL ENGINEER
 STATE OF NJ LICENSE NO. GE48086

CAREONE AT LAWRENCE
 PRELIMINARY & FINAL SITE PLAN FOR CAREONE AT LAWRENCE
 BLOCK 6601, LOT 2, LAWRENCE TOWNSHIP, MERCER COUNTY, NEW JERSEY
 TRUCK TURNING EXHIBIT - WB-50

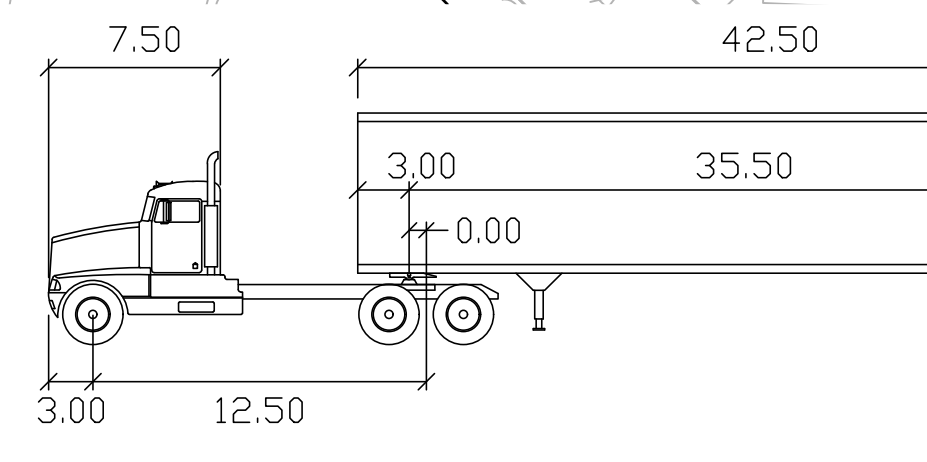
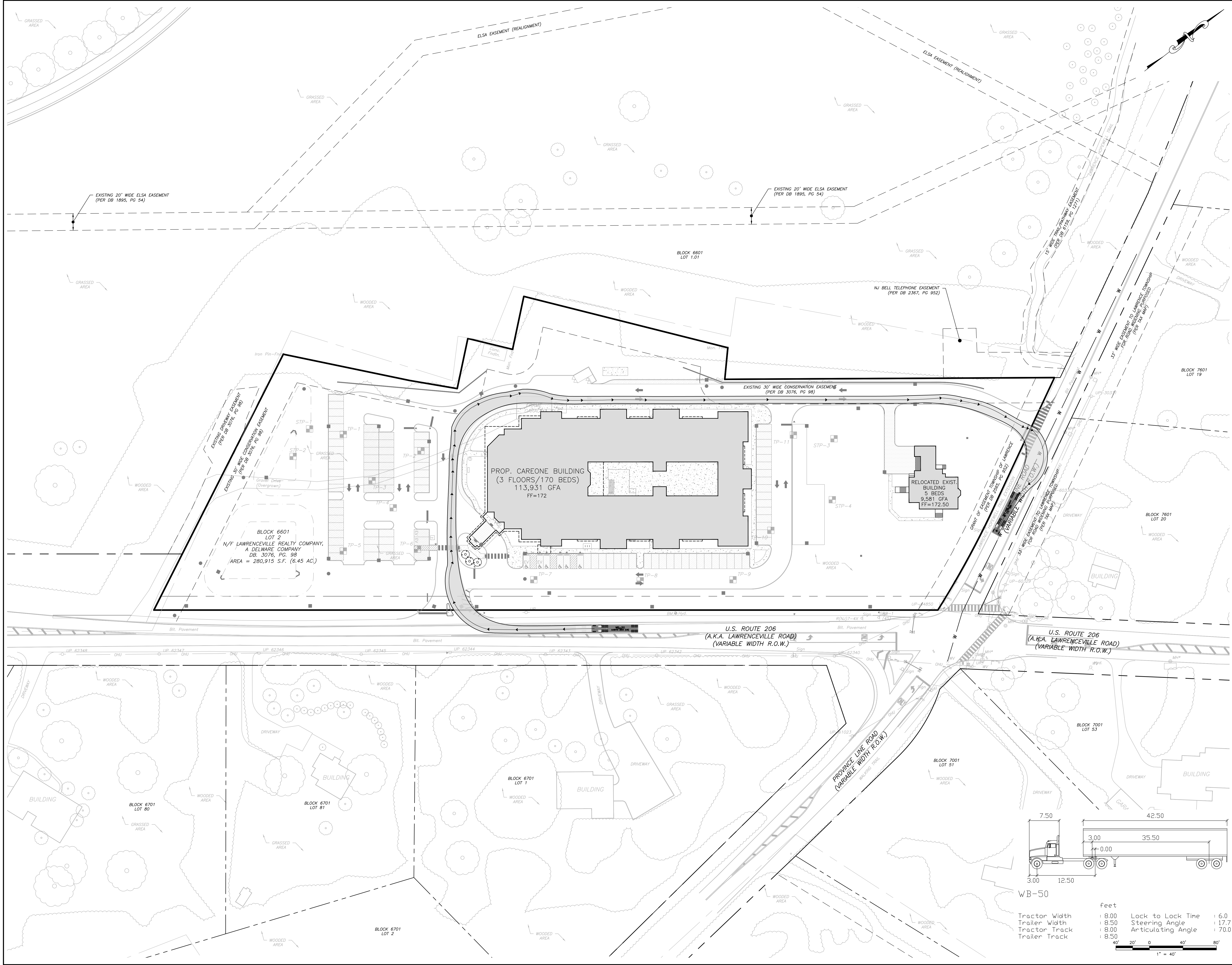


11 TINBALL ROAD
 MIDDLETOWN, NJ 07748
 TEL: 732-671-6400
 FAX: 732-671-7265
 www.landmassociates.com
 NEW JERSEY BOARD OF PROFESSIONAL ENGINEERS
 AND LAND SURVEYORS
 CERTIFICATE OF AUTHORIZATION 262478200

DESIGNED BY	KRR	DRAWING	TTP-1
CHECKED BY	MRT	SHEET	1
DRAWN BY	KRR	DATE	05/27/22
DATE	05/27/22	SCALE	AS SHOWN
PROJ. NO.	COM000001	OF	7

PROJECT INFORMATION:
 FILE PATH: G:\PROJECTS\COM\00001\PlanA
 FILE NAME: COM00001 - TTP.dwg
 DATE PLOTTED: 05/27/22 11:31 AM
 LAST SAVE BY: Dabakoz

CONTRACTOR: AND ASSOCIATES, ALL RIGHTS RESERVED. THE CONTENTS OF THIS DOCUMENT OR PORTIONS THEREOF, FOR OTHER THAN THE ORIGINAL PROJECT OR THE PURPOSE ORIGINALLY INTENDED, WITHOUT THE WRITTEN PERMISSION OF T&M ASSOCIATES IS PROHIBITED.



Tractor Width	: 8.00	Lock to Lock Time	: 6.0
Trailer Width	: 8.50	Steering Angle	: 17.7
Tractor Track	: 8.00	Articulating Angle	: 70.0
Trailer Track	: 8.50		

DESIGNED BY	KRR	DRAWING	TTP-2
CHECKED BY	MRT	SHEET	2
DRAWN BY	KRR	DATE	05/27/22
SCALE	AS SHOWN	PROJ. NO.	COM000001

NO.	DATE	REVISIONS	BY	CHKD
1.	6/28/22	REVISED PER ZONING BOARD REVIEW COMMENTS		
2.	2/3/23	REVISED PER TOWNSHIP COMPLETION REVIEW		

MICHAEL R. THOMAS, P.E.
 PROFESSIONAL ENGINEER

2/3/23
 LICENSED PROFESSIONAL ENGINEER
 STATE OF NJ LICENSE NO. GE48086

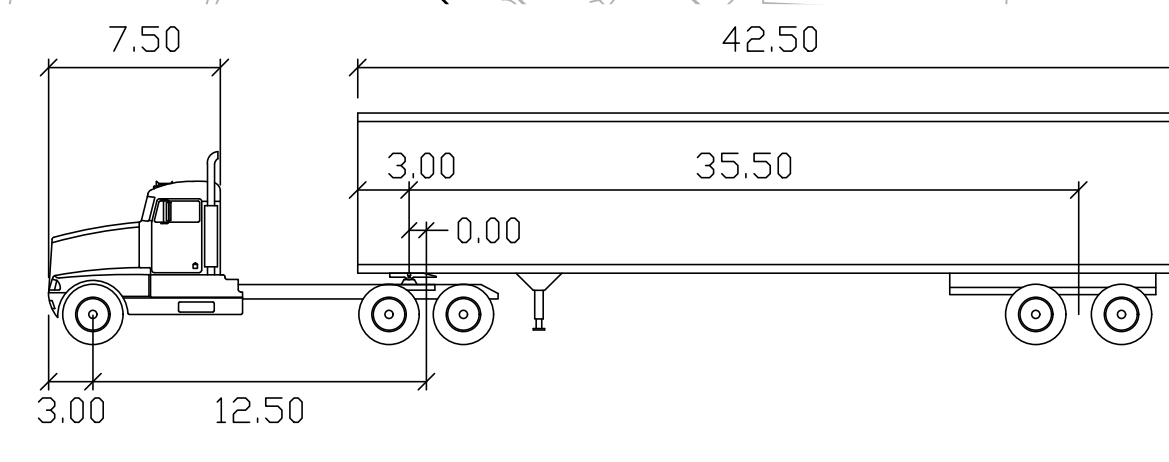
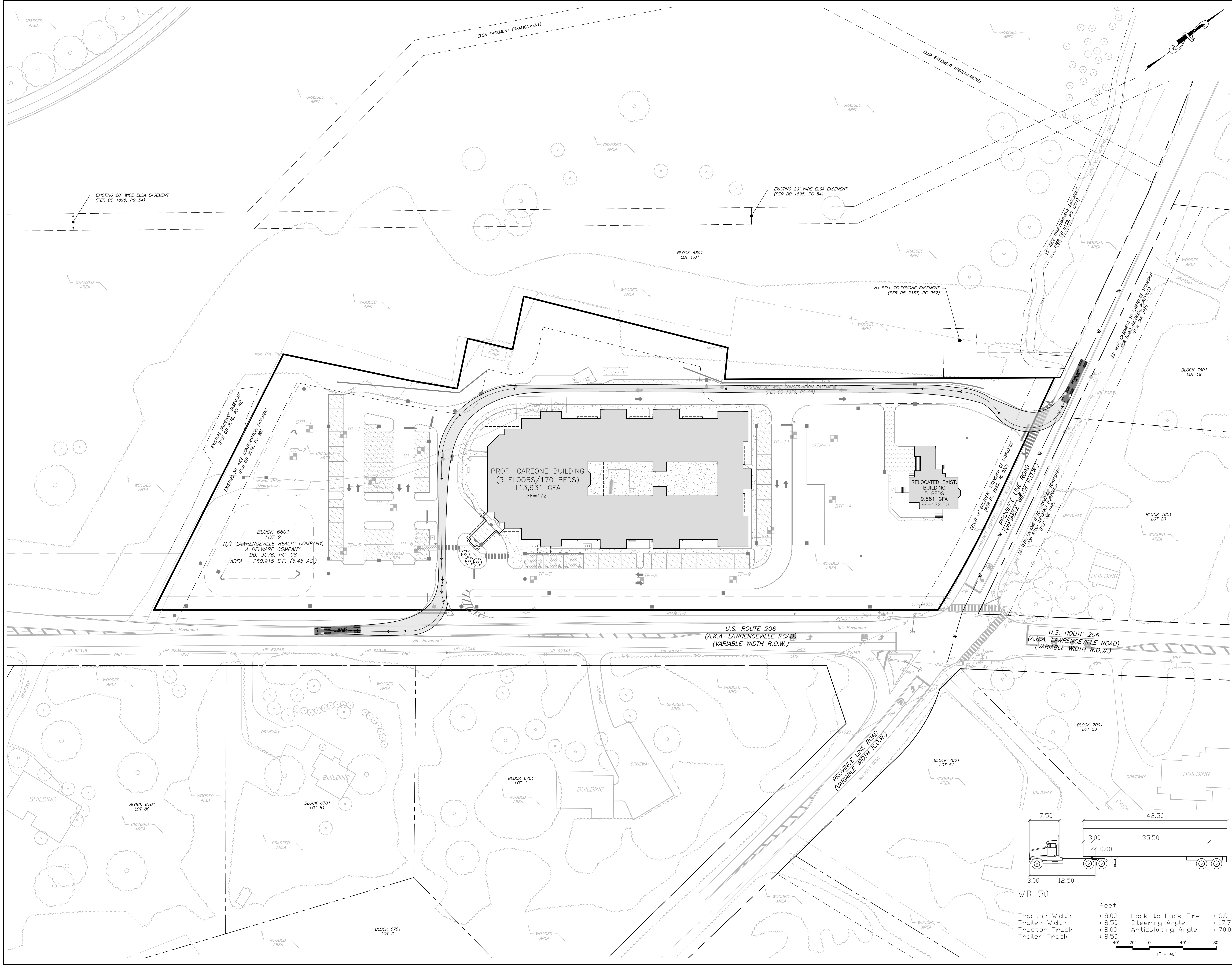
CAREONE AT LAWRENCE
 PRELIMINARY & FINAL SITE PLAN FOR CAREONE AT LAWRENCE
 BLOCK 6601, LOT 2, LAWRENCE TOWNSHIP, MERCER COUNTY, NEW JERSEY
 TRUCK TURNING EXHIBIT - WB-50



OFFICES LOCATED IN:
 CALIFORNIA, INDIANA, KENTUCKY,
 MASSACHUSETTS, MICHIGAN, NEW JERSEY,
 OHIO AND PENNSYLVANIA

DESIGNED BY: KRR
 CHECKED BY: MRT
 DRAWN BY: KRR
 DATE: 05/27/22
 SCALE: AS SHOWN
 PROJ. NO.: COM000001

PROJECT INFORMATION:
 FILE PATH: C:\PROJETS\COM\00001\PlanA
 FILE NAME: COM00001 - TTP-003
 LAST SAVE BY: Dabakoz
 LAST SAVE DATE: 02/23/2023 11:31:44 AM



WB-50

Tractor Width	: 8.00	Lock to Lock Time	: 6.0
Trailer Width	: 8.50	Steering Angle	: 17.7
Tractor Track	: 8.00	Articulating Angle	: 70.0
Trailer Track	: 8.50		

feet

40' 20' 0' 40' 80'

1" = 40'

NO.	DATE	REVISIONS	BY	CHKD
2.	2/3/23	REVISED PER ZONING BOARD REVIEW COMMENTS	DA	MRT
1.	6/28/22	REVISED PER TOWNSHIP COMPLETION REVIEW	KRR	HR

MICHAEL R. THOMAS, P.E.
 PROFESSIONAL ENGINEER

MRT 2/3/23
 LICENSED PROFESSIONAL ENGINEER
 STATE OF NJ LICENSE NO. GE48086

CAREONE AT LAWRENCE
 PRELIMINARY & FINAL SITE PLAN FOR CAREONE AT LAWRENCE
 BLOCK 6601, LOT 2, LAWRENCE TOWNSHIP, MERCER COUNTY, NEW JERSEY
 TRUCK TURNING EXHIBIT - WB-50

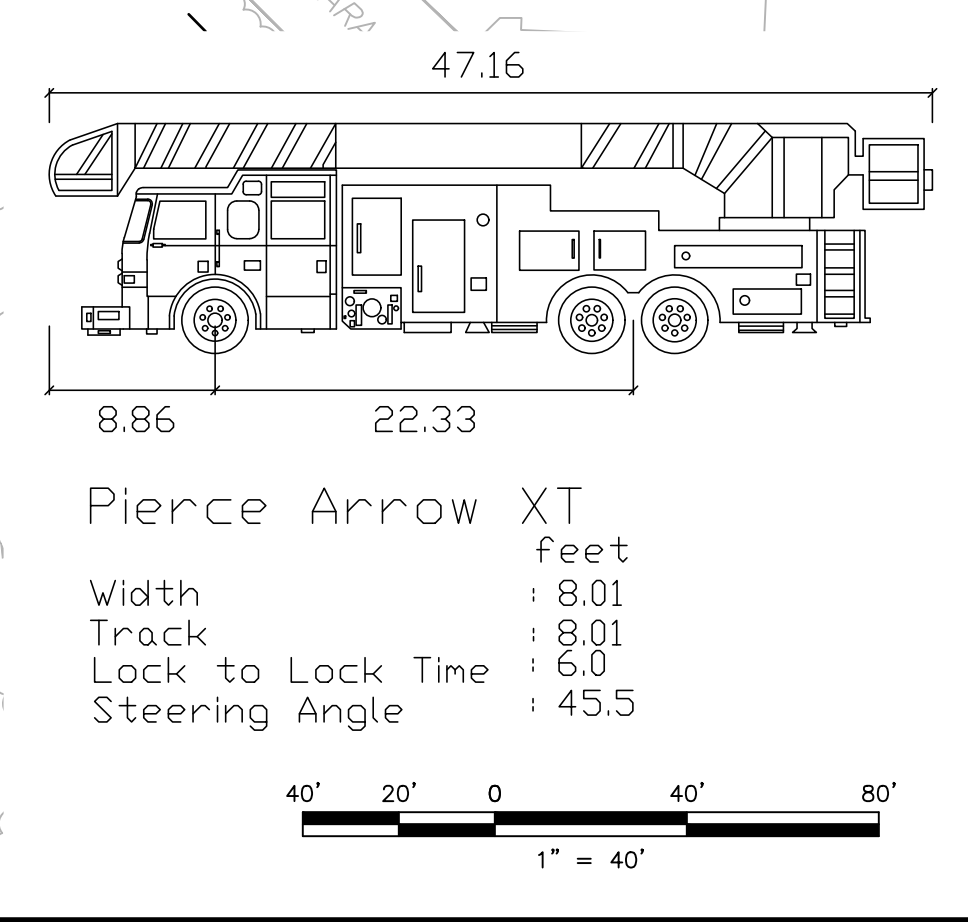
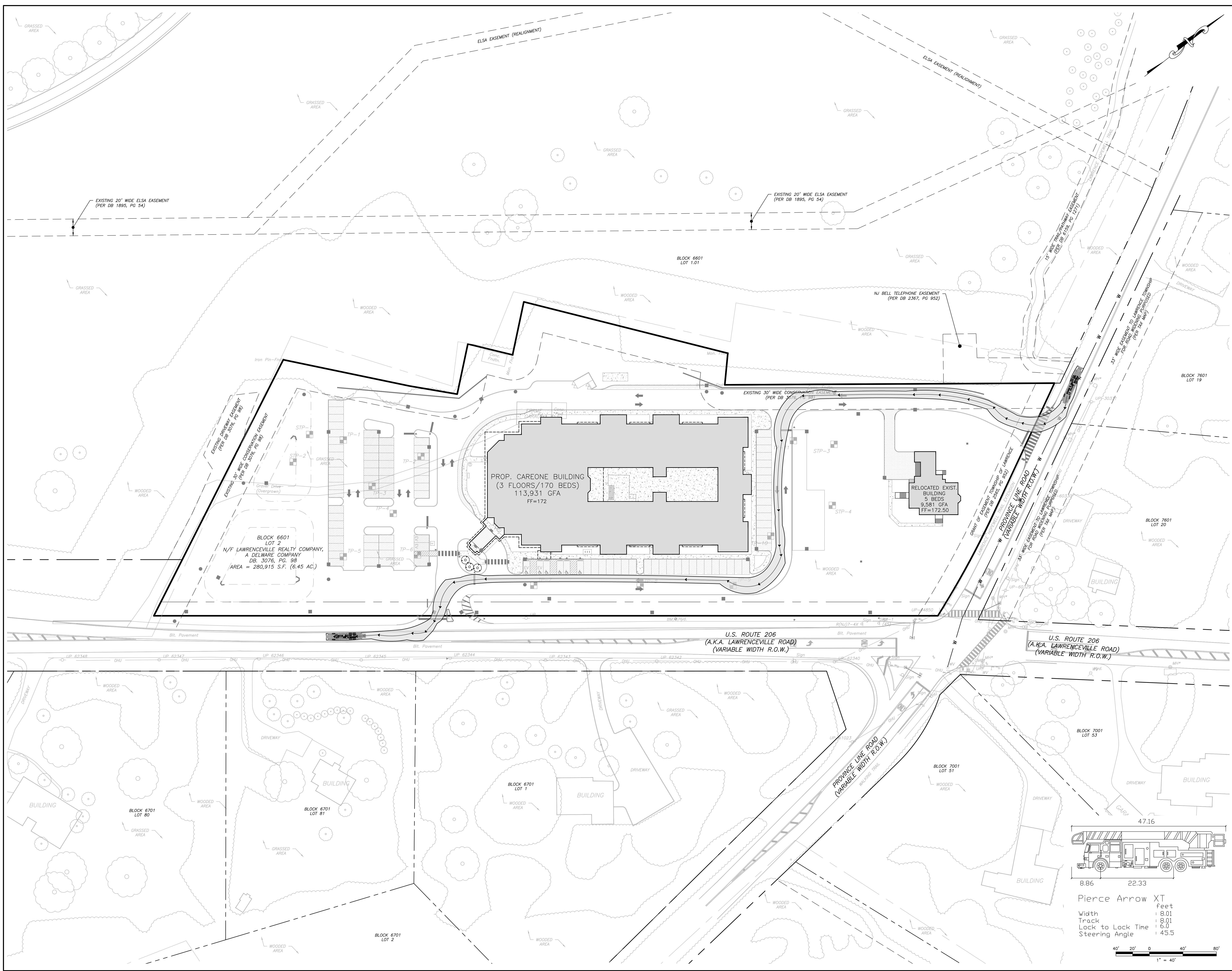


OFFICES LOCATED IN:
 CALIFORNIA, INDIANA, KENTUCKY,
 MASSACHUSETTS, MICHIGAN, NEW JERSEY,
 OHIO AND PENNSYLVANIA

DESIGNED BY	KRR	DRAWING	TTP-3
CHECKED BY	MRT	SHEET	3
DRAWN BY	KRR	DATE	05/27/22
SCALE	AS SHOWN	PROJ. NO.	COM000001
			OF 7

PROJECT INFORMATION:
 FILE PATH: C:\PROJETS\COM\00001\PlanA
 FILE NAME: COM00001 - TTP-4.dwg
 DATE: 05/27/22 11:31 AM
 LAST SAVE BY: Dabakacz

CONTRACTOR'S ASSOCIATES, ALL RIGHTS RESERVED. THE COPIES OR REUSE OF THIS DOCUMENT OR PORTIONS THEREOF, FOR OTHER THAN THE ORIGINAL PROJECT PURPOSE, ORIGINALLY INTENDED, WITHOUT THE WRITTEN PERMISSION OF T&M ASSOCIATES IS PROHIBITED.



NO.	DATE	REVISIONS	BY	CHKD
2.	2/3/23	REVISED PER ZONING BOARD REVIEW COMMENTS	DA	MRT
1.	6/28/22	REVISED PER TOWNSHIP COMPLETION REVIEW	KRR	BY

MICHAEL R. THOMAS, P.E.
 PROFESSIONAL ENGINEER

MRT 2/3/23
 LICENSED PROFESSIONAL ENGINEER
 STATE OF NJ LICENSE NO. GE48086

CAREONE AT LAWRENCE
PRELIMINARY & FINAL SITE PLAN FOR CAREONE AT LAWRENCE
 BLOCK 6601, LOT 2, LAWRENCE TOWNSHIP, MERCER COUNTY, NEW JERSEY
TRUCK TURNING EXHIBIT - FIRE TRUCK



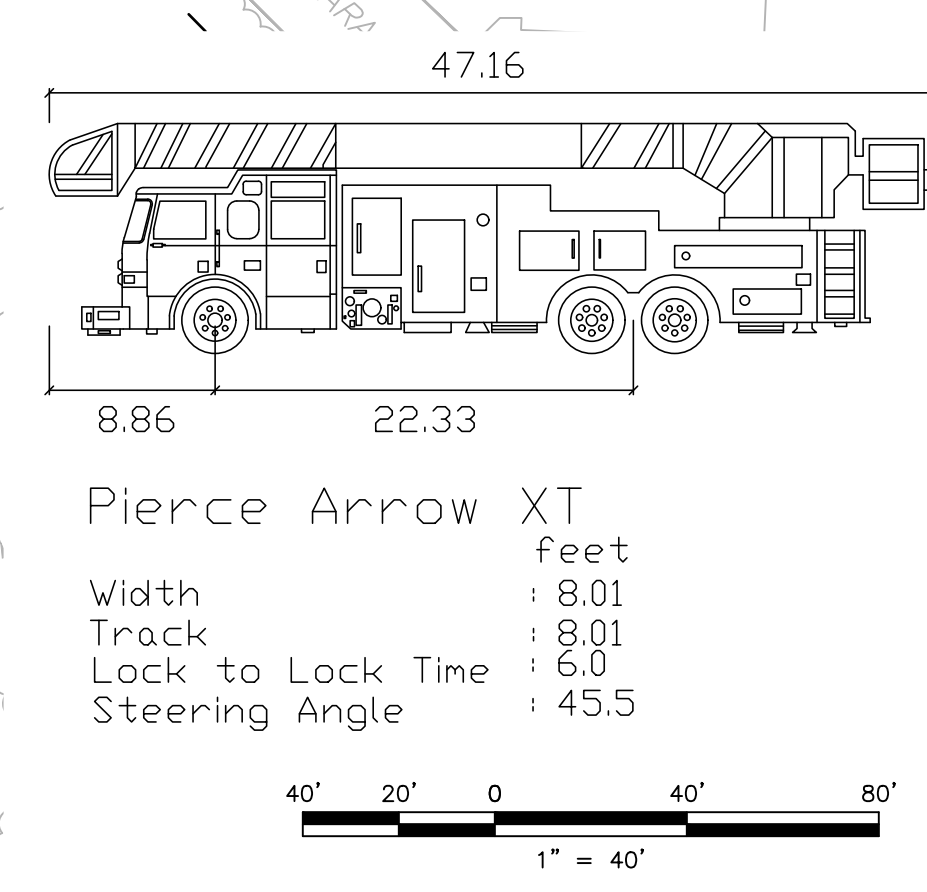
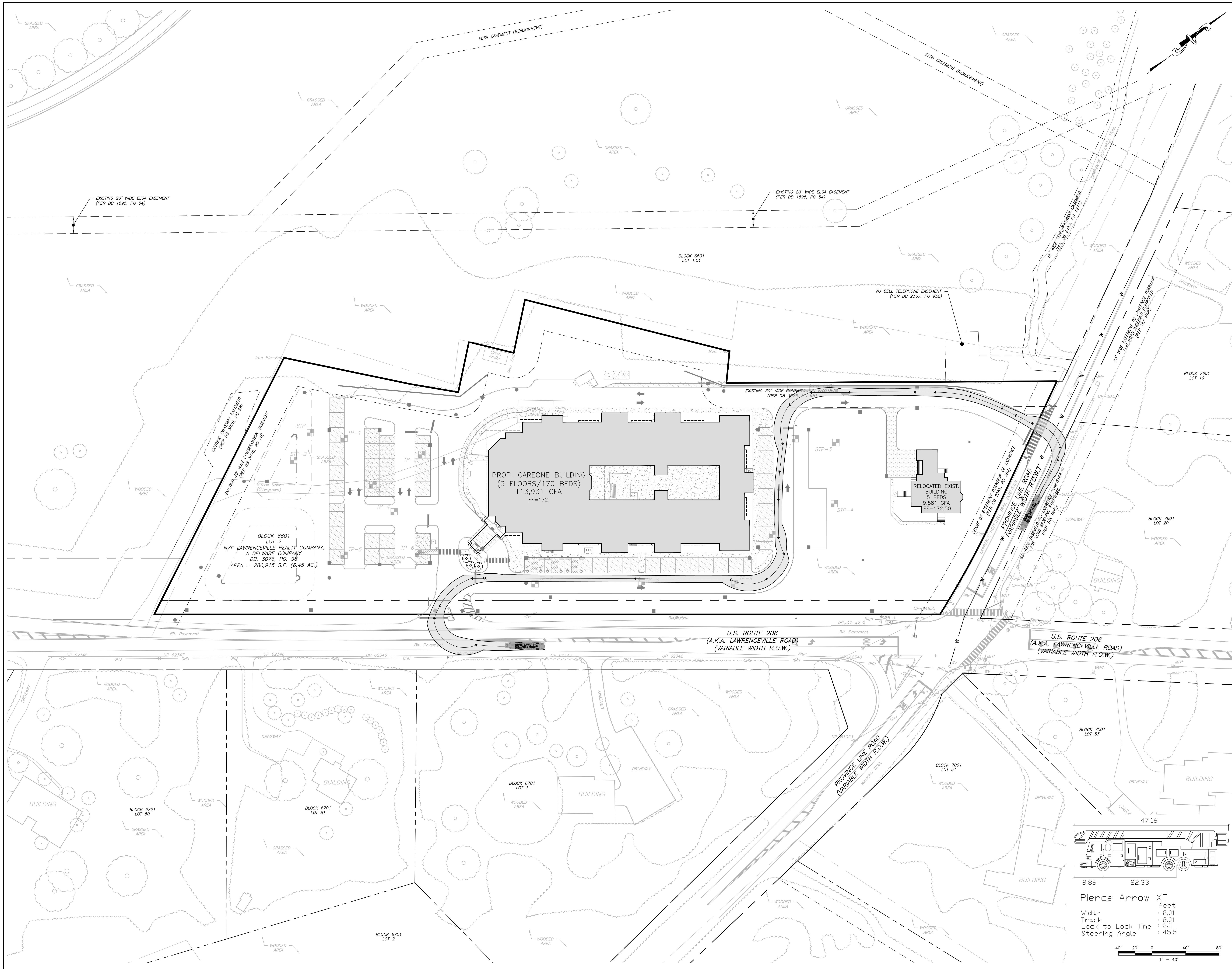
11 TINBALL ROAD
 MIDDLETOWN, NJ 07748
 TEL: 732-671-6400
 FAX: 732-671-7265
 www.landmassociates.com
 NEW JERSEY BOARD OF PROFESSIONAL ENGINEERS
 AND LAND SURVEYORS
 CERTIFICATE OF AUTHORIZATION #26247850

OFFICES LOCATED IN:
 CALIFORNIA, INDIANA, KENTUCKY,
 MASSACHUSETTS, MICHIGAN, NEW JERSEY,
 OHIO AND PENNSYLVANIA

DESIGNED BY	KRR	DRAWING	
CHECKED BY	MRT	TTP-4	
DRAWN BY	KRR	SHEET	
DATE	05/27/22	4	
SCALE	AS SHOWN		
PROJ. NO.	COM000001	OF	7

PROJECT INFORMATION:
 FILE PATH: C:\PROJETS\COM\00001\PlanA
 FILE NAME: COM00001 - TTP-5.dwg
 DATE: 05/27/22 11:31 AM
 LAST SAVE BY: Dabakacz

CONTRACTOR: AND ASSOCIATES, ALL RIGHTS RESERVED. THE CONTENTS OF THIS DOCUMENT OR PORTIONS THEREOF, FOR OTHER THAN THE ORIGINAL PROJECT OR THE PURPOSE ORIGINALLY INTENDED, WITHOUT THE WRITTEN PERMISSION OF T&M ASSOCIATES IS PROHIBITED.



NO.	DATE	REVISIONS	BY	CHKD
2.	2/3/23	REVISED PER ZONING BOARD REVIEW COMMENTS	DA	MRT
1.	6/28/22	REVISED PER TOWNSHIP COMPLETION REVIEW	KRR	MRT

MICHAEL R. THOMAS, P.E.
 PROFESSIONAL ENGINEER

MRT 2/3/23
 LICENSED PROFESSIONAL ENGINEER
 STATE OF NJ LICENSE NO. GE48086

CAREONE AT LAWRENCE
PRELIMINARY & FINAL SITE PLAN FOR CAREONE AT LAWRENCE
 BLOCK 6601, LOT 2, LAWRENCE TOWNSHIP, MERCER COUNTY, NEW JERSEY
TRUCK TURNING EXHIBIT - FIRE TRUCK

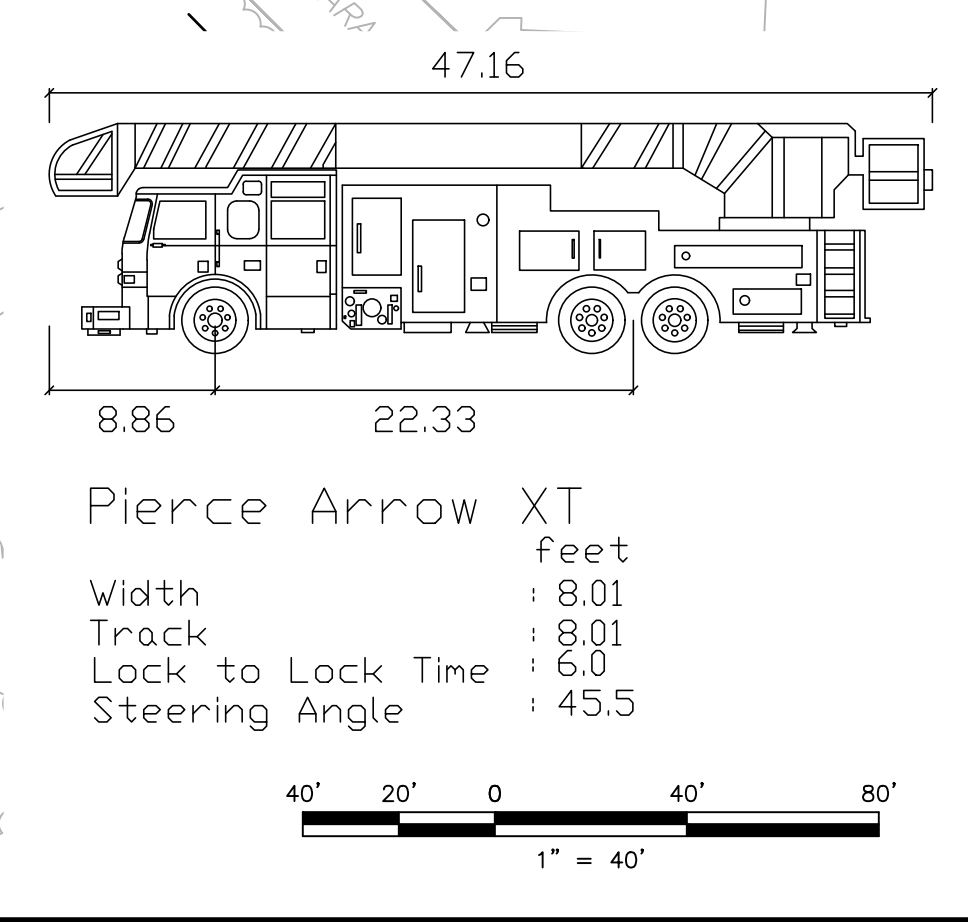
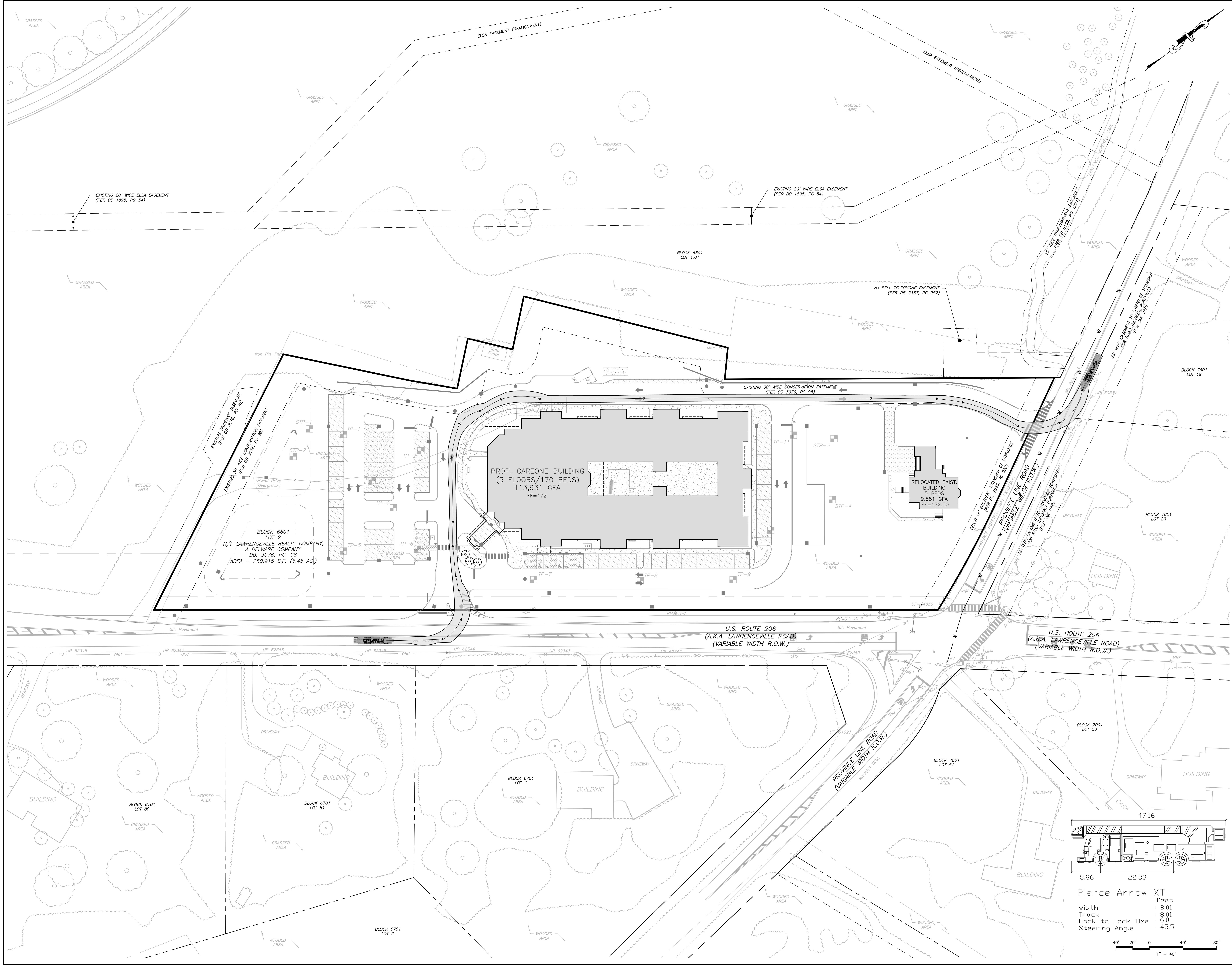
AND ASSOCIATES
 YOUR GOALS. OUR MISSION.

11 TINBALL ROAD
 MIDDLETOWN, NJ 07748
 TEL: 732-671-6400
 FAX: 732-671-7265
 www.landmassociates.com
 NEW JERSEY BOARD OF PROFESSIONAL ENGINEERS
 AND LAND SURVEYORS
 CERTIFICATE OF AUTHORIZATION 262478050

OFFICES LOCATED IN:
 CALIFORNIA, INDIANA, KENTUCKY,
 MASSACHUSETTS, MICHIGAN, NEW JERSEY,
 OHIO AND PENNSYLVANIA

DESIGNED BY	KRR	DRAWING	TTP-5
CHECKED BY	MRT	SHEET	5
DRAWN BY	KRR	DATE	05/27/22
SCALE	AS SHOWN	PROJ. NO.	COM000001
			OF 7

PROJECT INFORMATION:
 FILE PATH: C:\PROJETS\COM\00001\PlanA
 FILE NAME: COM00001 - TTP-6.dwg
 DATE PLOTTED: 05/27/22 11:31 AM
 LAST SAVE BY: Dabakacz



NO.	DATE	REVISIONS	BY	CHKD
2.	2/3/23	REVISED PER ZONING BOARD REVIEW COMMENTS	DA	MRT
1.	6/28/22	REVISED PER TOWNSHIP COMPLETION REVIEW	KRR	HRF

MICHAEL R. THOMAS, P.E.
 PROFESSIONAL ENGINEER

MRT 2/3/23
 LICENSED PROFESSIONAL ENGINEER
 STATE OF NJ LICENSE NO. GE48086

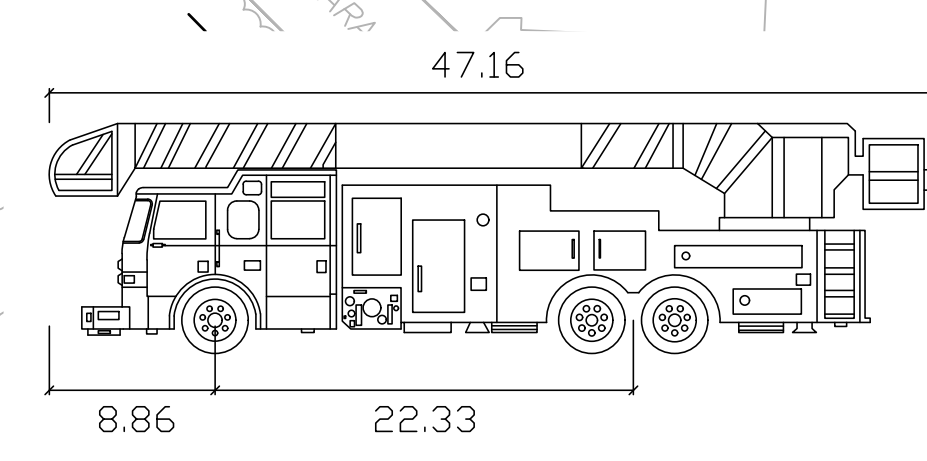
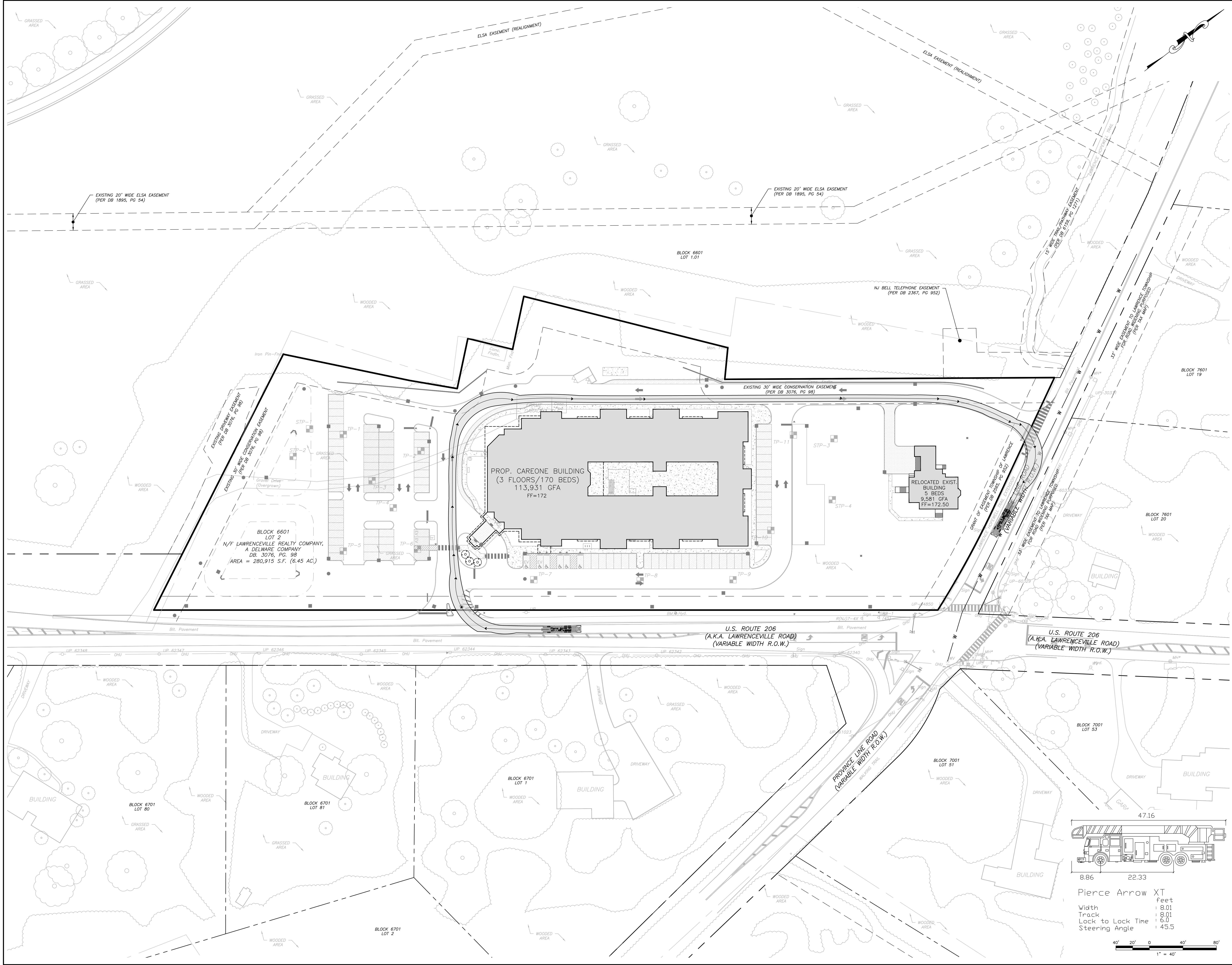
CAREONE AT LAWRENCE
PRELIMINARY & FINAL SITE PLAN FOR CAREONE AT LAWRENCE
 BLOCK 6601, LOT 2, LAWRENCE TOWNSHIP, MERCER COUNTY, NEW JERSEY
TRUCK TURNING EXHIBIT - FIRE TRUCK



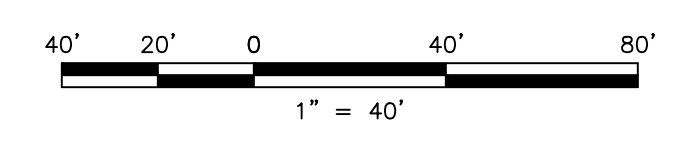
OFFICES LOCATED IN:
 CALIFORNIA, INDIANA, KENTUCKY,
 MASSACHUSETTS, MICHIGAN, NEW JERSEY,
 OHIO AND PENNSYLVANIA

DESIGNED BY: KRR DRAWING: TTP-6
 CHECKED BY: MRT SHEET: 6
 DRAWN BY: KRR
 DATE: 05/27/22
 SCALE: AS SHOWN
 PROJ. NO.: COM000001 OF 7

PROJECT INFORMATION:
 FILE PATH: G:\PROJECTS\COM\00001\PlanA
 FILE NAME: COM00001-TTP-000
 DATE: 05/27/22 11:31 AM
 LAST SAVE BY: Dabakoz



Pierce Arrow XT
 Width : 8.01 feet
 Track : 8.01 feet
 Lock to Lock Time : 6.0
 Steering Angle : 45.5



NO.	DATE	BY	CHKD	REVISIONS
1.	6/28/22	KRR	MRT	REVISED PER ZONING BOARD REVIEW COMMENTS
2.	2/3/23	KRR	MRT	REVISED PER TOWNSHIP COMPLETION REVIEW

MICHAEL R. THOMAS, P.E.
 PROFESSIONAL ENGINEER

MRT 2/3/23
 LICENSED PROFESSIONAL ENGINEER
 STATE OF NJ LICENSE NO. GE48086

CAREONE AT LAWRENCE
 PRELIMINARY & FINAL SITE PLAN FOR CAREONE AT LAWRENCE
 BLOCK 6601, LOT 2, LAWRENCE TOWNSHIP, MERCER COUNTY, NEW JERSEY
 TRUCK TURNING EXHIBIT - FIRE TRUCK



11 TINBALL ROAD
 MIDDLETOWN, NJ 07748
 TEL: 732-671-6400
 FAX: 732-671-7265
 www.landmassociates.com
 NEW JERSEY BOARD OF PROFESSIONAL ENGINEERS
 AND LAND SURVEYORS
 CERTIFICATE OF AUTHORIZATION #262478500

OFFICES LOCATED IN:
 CALIFORNIA, INDIANA, KENTUCKY,
 MASSACHUSETTS, MICHIGAN, NEW JERSEY,
 OHIO AND PENNSYLVANIA

DESIGNED BY: KRR DRAWING: TTP-7
 CHECKED BY: MRT SHEET:
 DRAWN BY: KRR
 DATE: 05/27/22
 SCALE: AS SHOWN
 PROJ. NO.: COM000001 OF 7